

# BUILDING 311, 3RD FLOOR, 18,000 RSF

1 PARTIAL 3RD FLOOR TENANT SPACE  
 1/8" = 1'-0"

### PROJECT SCOPE OF WORK:

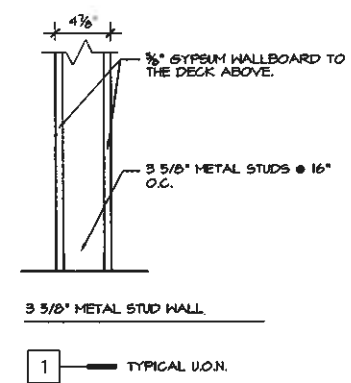
THE WORK SCOPE FOR THIS PROJECT CONSISTS OF THE CONSTRUCTION OF NEW (5) HALLS WITH DOORS & ADDITION OF EXIT SIGN.

### CODE SUMMARY

CODE SUMMARY - COMMONWEALTH OF MASSACHUSETTS, 780 CMR, 6TH EDITION

- USE GROUP: B-BUSINESS (NO CHANGE OF USE)  
 TENANT FLOOR AREA: 17,572 SQ.FT.
- OCCUPANT LOAD: TABLE 1008.1.2 (TENANT SPACE) MAXIMUM FLOOR AREA ALLOWANCES PER OCCUPANT  
 B-BUSINESS 17,572/100 = 175 OCCUPANTS
- EXIT ACCESS TRAVEL DISTANCE - TABLE 1006.5

3rd FLOOR	REQUIRED	PROVIDED
NUMBER OF EXITS FROM TENANT SPACE	2 MIN.	5
TRAVEL DISTANCE	250'	250'
EGRESS WIDTH PER OCCUPANT	15"	62"
SEPARATION	50'	185'



### CONSTRUCTION NOTES

- CONTRACTOR TO INSPECT THE AREA OF WORK PRIOR TO STARTING AND NOTIFY THE ARCHITECT OF ANY DISCREPANCIES BETWEEN THESE DRAWINGS THE ACTUAL CONDITIONS. DO NOT SCALE THESE DRAWINGS.
- DIMENSIONS ARE FACE OF WALL TO FACE OF WALL U.O.N.
- NEW PARTITIONS SHALL BE PLUMB, SQUARE, STRAIGHT AND PARALLEL OR PERPENDICULAR TO THE CORE.
- DOORS TO MAINTAIN 4" FROM ADJACENT WALL ON HINGED SIDE OF DOOR U.O.N.
- DOORS, FRAMES AND HARDWARE ARE TO BE BUILDING STANDARD. CONFIRM KEYING WITH OWNER AND TENANT.
- SUBMIT SAMPLES, SHOP DRAWINGS & SCHEDULES FOR ARCHITECT REVIEW & APPROVAL FOR THE FOLLOWING:  
 A. DOORS, FRAMES, & HARDWARE
- HALL FINISH TO MATCH EXISTING SURROUNDING IT.
- PROVIDE NEW HALL BASE TO MATCH EXISTING IN THE NEW HALL AREA.
- PATCH CARPET. PATCH & PAINT WALL AT DEMO WALL LOCATION.

### LEGEND

- CONSTRUCTION TO BE DEMOLISHED
- EXISTING HALL TO REMAIN
- == NEW HALL
- EXISTING DOOR TO REMAIN
- ⊕ NEW DOOR & DOOR NUMBER
- ⊗ EXIT SIGN ('N' DENOTES NEW)

### LOCUS PLAN



E:\Burnstand\03043\Draw\Inr\03043A103.dwg Oct. 25, 2004 - 9:08am  
 COPYRIGHT (C) BY CUBELLIS ASSOCIATES, INC. ALL RIGHTS RESERVED. NO PART OF THIS DRAWING IS TO BE REPRODUCED OR TRANSMITTED IN ANY FORM OR BY ANY MEANS, ELECTRONIC, MECHANICAL, PHOTOCOPYING, RECORDING, OR BY ANY INFORMATION STORAGE AND RETRIEVAL SYSTEM, WITHOUT THE EXPRESS WRITTEN CONSENT OF CUBELLIS ASSOCIATES, INC. ANY REPRODUCTION OR TRANSMISSION IN ANY FORM OR BY ANY MEANS, WITHOUT THE EXPRESS WRITTEN CONSENT OF CUBELLIS ASSOCIATES, INC. IS PROHIBITED.